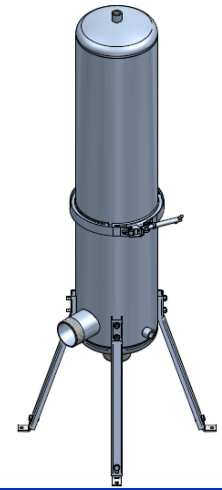




## Multiple cartridge filter

# FGX 3



M006-78 – Rev. 01 - 01/2014

### TECHNICAL SHEET

#### GENERAL

**FGX 3** filters range consists of medium flow rate units, which can be employed for many different purposes.

**FGX 3** filters basic models are available with 3, 7 or 9 cartridges, and can house cartridges of different sizes (20, 30 and 40 inches, equal to 50, 75 and 100 cm), for different filtration degrees (1, 5 and 20 microns).

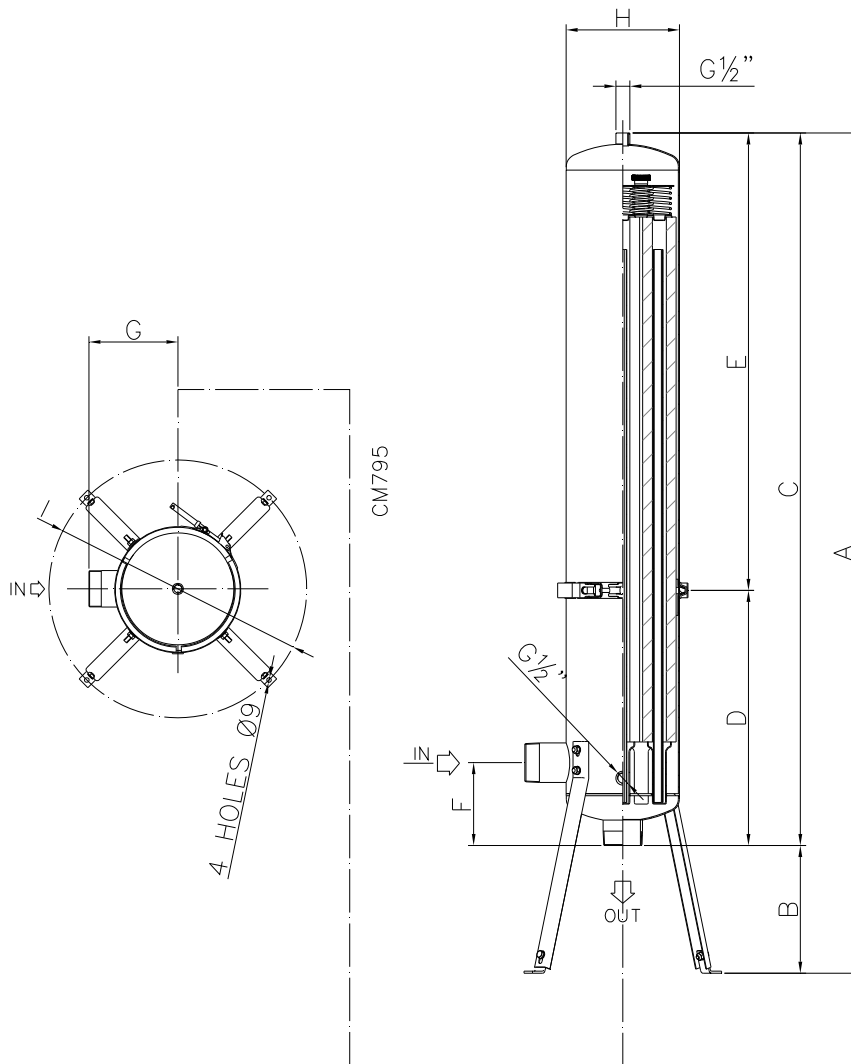
Cartridge replacement can be done easily and quickly, thanks to the clamp opening system.

**FGX 3** filters with housing in polished Stainless Steel AISI 316L, threaded fittings UNI 338.



#### Technical data

Model	Cartridges N.	Flow rate l/min	Fittings	Operating pressure bar	Test pressure bar	Weight Kg.
<b>FGX 3 125</b>	3 x 500 mm (20")	125	2" gas	8	11,4	20
<b>FGX 3 150</b>	3 x 750 mm (30")	150	2" gas	8	11,4	22
<b>FGX 3 250</b>	3 x 1000 mm (40")	250	2" gas	8	11,4	24
<b>FGX 3 415</b>	7 x 750 mm (30")	415	2½" gas	8	11,4	27
<b>FGX 3 580</b>	7 x 1000 mm (40")	580	2½" gas	8	11,4	34
<b>FGX 3 750</b>	9 x 1000 mm (40")	750	3" gas	8	11,4	44

**Dimensions**


Model	Dimensions								
	A mm	B Min mm	C mm	D mm	E mm	F mm	G mm	H mm	I mm
<b>FGX 3 125</b>	1115	265	850	495	360	150	150	168,3	320
<b>FGX 3 150</b>	1365	265	1100	495	610	150	150	168,3	325
<b>FGX 3 250</b>	1620	265	1355	495	860	150	150	168,3	320
<b>FGX 3 415</b>	1371	250	1121	495	625	160	190	219,1	360
<b>FGX 3 580</b>	1630	250	1380	495	885	160	190	219,1	360
<b>FGX 3 750</b>	1780	390	1390	710	680	190	215	273	400

*These dimensions may vary ± 5 mm.*

M006-78 – Rev. 01 - 01/2014